

SCREEN DRUM SD COMPACT

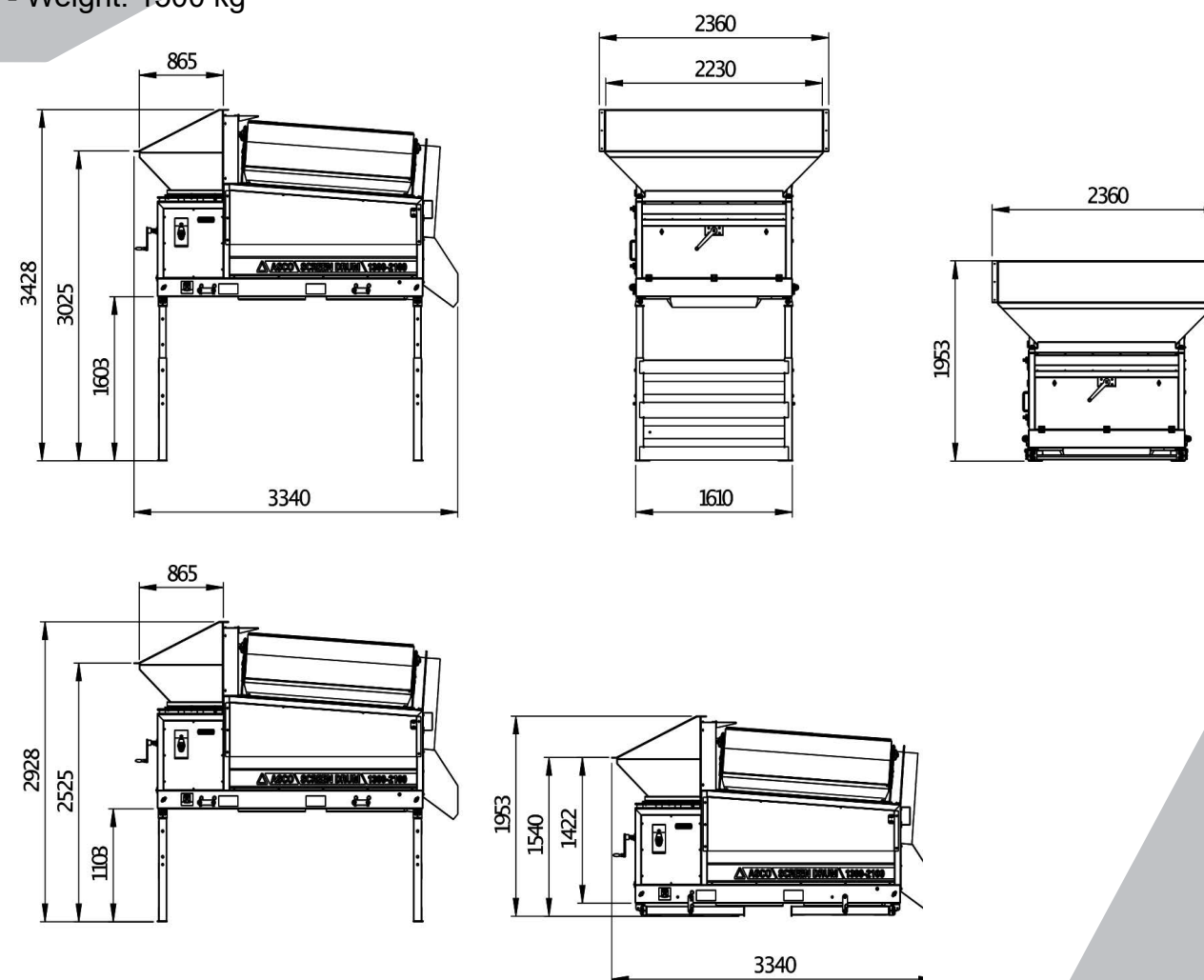
The screen drum is mounted on a robust, foldable construction and the machine is semi-mobile. The screening process starts with the material being fed into the feed hopper from above. The screened material falls out from under the machine. The oversize material is fed out through a chute at the front. The foldable feet separate the material into 2 fractions.



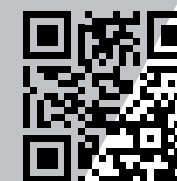
TECHNICAL SPECIFICATION & DIMENSIONS

ASCO Screen drum SD COMPACT

- Screen length: 2.1 m
- Usable screen length: 1.7 m
- Outer diameter of the screening drum: 1.3 m
- Usable screening area: 7.0 m²
- Screening capacity: 25 - 50 t/h
- Punching diameter: Ø6 mm-Ø100 mm
- Hopper opening: 2,24 m x 0,85 m
- Speeds (adjustable): 5 rpm - 20 rpm
- Drive power: 5.5 kW (optional 7.5 kW)
- footprint: 3,30 x 2,13 m
- Filling height: 2,55 m
- Weight: 1500 kg



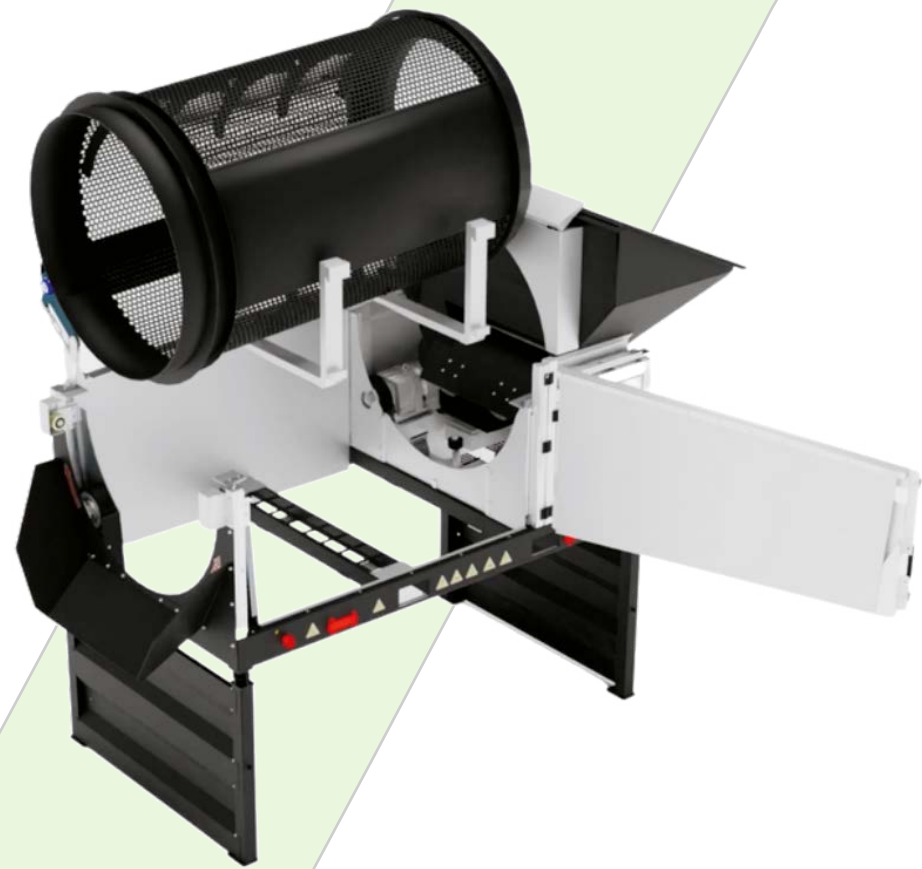
**ASCO
SCREEN DRUM
SD COMPACT**



ADJUSTABLE SPEED

The screening drum is equipped with an adjustable drum speed, which allows you to adjust the speed of the separation process to your needs. The direction of rotation of the drum can also be changed. In case of overfilling, there is a possibility to freely rotate the drum with a program. The machine is available in a round configuration with a hole size defined by you from 6 to 100mm.

The sieve drum can be changed quickly and easily in 6 short steps!

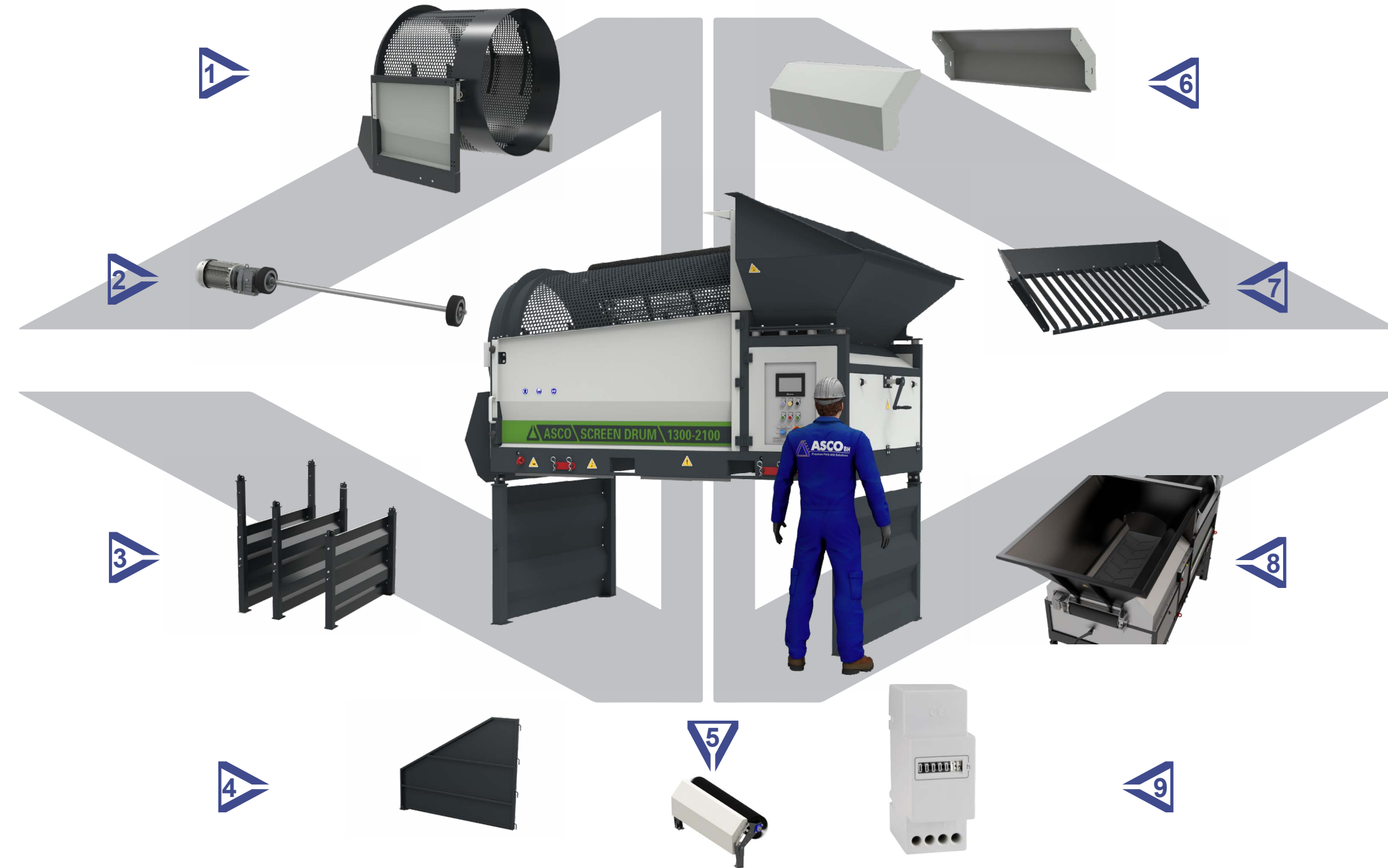


MAIN COMPONENTS

The ASCO SD COMPACT screening drum is a powerful and robust machine suitable for a wide range of screening tasks. It is particularly convincing in recycling plants as well as construction, agricultural and gardening operations, where many different materials have to be processed in tight time windows. Thanks to the numerous machine options, the ASCO screening drum is extremely flexible and can be individually adapted to the performance requirements. Therefore, it is also ideally suited for large companies. The ASCO SD COMPACT screening drum separates coarse pieces, clumps of chips, compost, soil, bark mulch, wood chips, gravel and similar materials.

& MACHINE OPTIONS

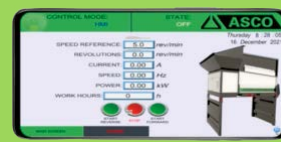
1. small drum extension
2. drive shaft
3. adjustable support feet
4. side separator plate
5. cleaning brush
6. protective cover
7. grizzly pre-screen
8. feed hopper
9. hour meter



Different options for controlling the screen drum



Manual, via potentiometer and pushbuttons



Via Smartphone-Application



Control via Remote control



Smart Screen Drum Online data acquisition

Optionally, the information can be displayed on the Weintek touchscreen.



Woodchips



sieved