

ONE MACHINE FOR 1 DECK AND 2 DECK

MACHINE HIGHLIGHTS

- ▷ Modular design - can be changed from 1 deck to 2 decks at any time
- ▷ Two vibration motors
- ▷ Variable adjustable and exchangeable rubber brake
- ▷ Reinforced base frame
- ▷ Variable placement - can be mounted on our base frame or e.g. on concrete walls



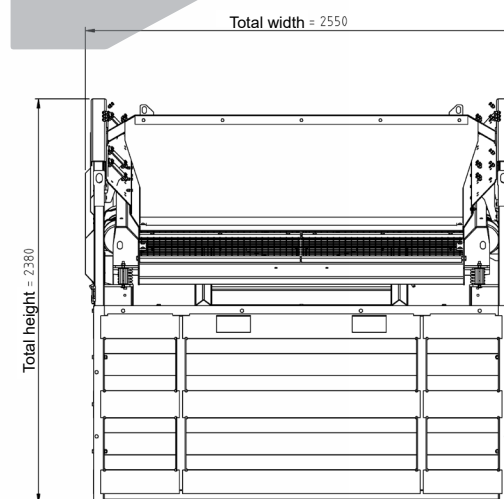
TECHNICAL SPECIFICATION & DIMENSIONS

Vibration sieve ASCO VS MEDI-1 (VS 2300-1)

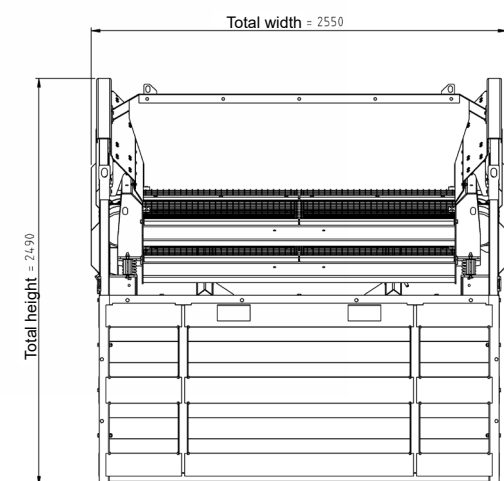
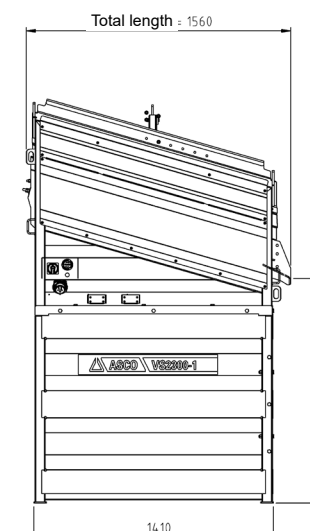
Screen decks:	1
Capacity of the plant:	20 - 50 tons/h
Maximum bucket width:	2,10 m
Screening area:	2,7 m ²
Connected load:	400 V / 2 x 0,55 kW
Weight:	990 kg
Width:	2,55 m
Length:	1,56 m
Height:	2,38 m

VS MEDI-2 (VS 2300-2)

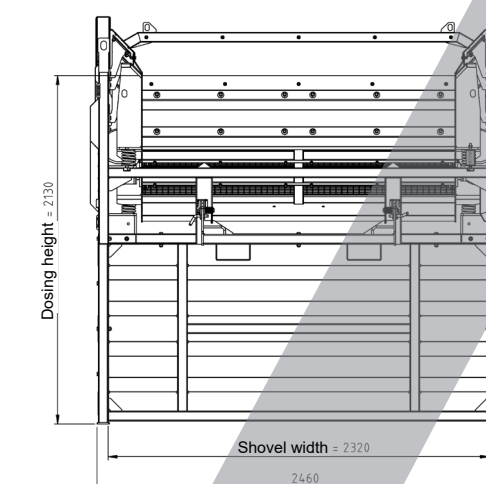
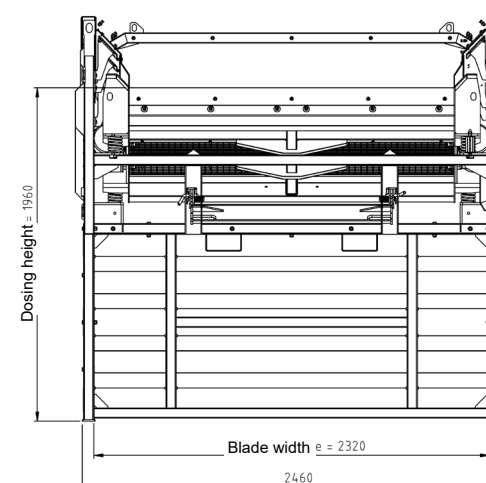
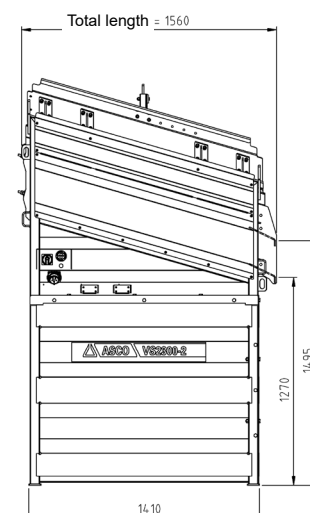
Screen decks:	2
Capacity of the plant:	30 - 60 tons/h
Maximum bucket width:	2,3 m
Screening area:	2 x 2,7 m ²
Connected load:	400 V / 2 x 0,75 kW
Weight:	1240 kg
Width:	2,55 m
Length:	1,56 m
Height:	2,49 m



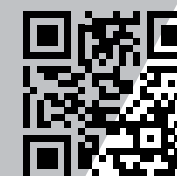
1 deck vibrating screen



2 deck vibrating screen



**ASCO
VIBRATION SIEVE
VS MEDI**



ASCO VIBRATION SIEVE VS MEDI - 1/1 DECK

The compact ASCO VS Medi vibrating screen offers a robust and powerful base with two vibration motors for a wide range of screening tasks. The machine is particularly convincing for recycling companies and operations in the construction, agricultural and gardening sectors, where many different materials have to be processed in tight time windows. Due to the modular design, high flexibility is guaranteed and the performance can be individually adapted. Thus, the ASCO vibrating screen is suitable for a wide range of applications and materials. The vibrating screen is equipped with two powerful vibration motors - thus the optimum screening performance can be achieved.

ASCO VIBRATION SIEVE VS MEDI - 2/2 DECK

The vibrating screen is equipped with 2 screen decks, which can be equipped with different screen linings. The two powerful vibration motors produce an optimal screening result. The compact ASCO VS Medi 2/2 vibrating screen is easy to operate, manipulate and flexible. Different sieve linings in terms of thickness and mesh size are available for each application. The screen linings are easy to change.

IN YOUR COMPANY COLORS



VS MEDI 2/2

SIEVE MOST DIFFERENT MATERIALS



INTERCHANGEABLE SIEVE PLATES
IN DIFFERENT THICKNESSES AND PERFORATIONS



VARIABLE ASSEMBLY: THIS ▷ ▷ ▷ ▷ ▷ ▷ ▷ OR THAT



Metal Chips



Soil



sieved



Woodchips



sieved

