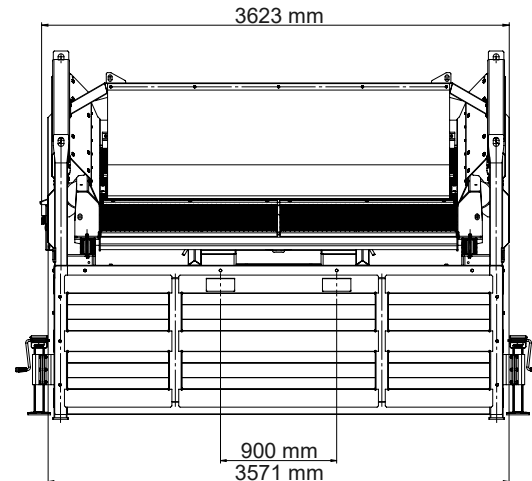
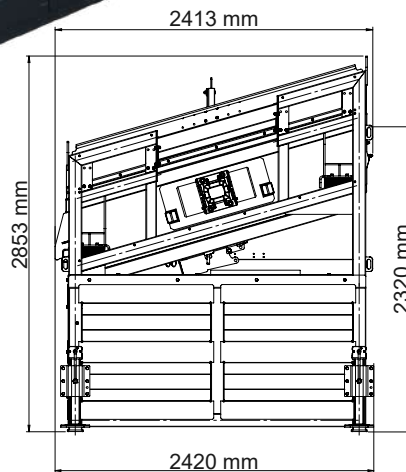
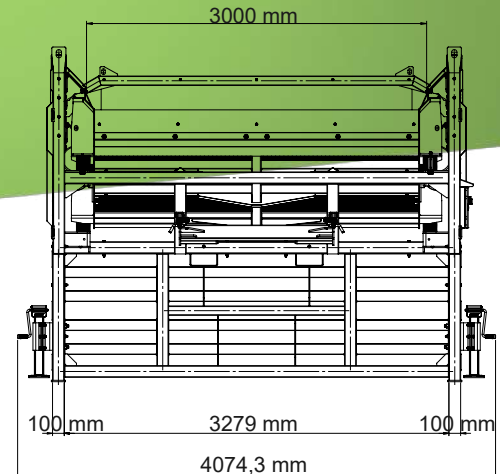


VIBRATION SCREEN BIG - ONE HEAD



Vibration screen ASCO® VS BIG offers a robust and powerful basis for a wide range of screening tasks. With two vibration motors, it is particularly practical for recycling companies and businesses in the construction, agricultural and gardening sectors where many different materials have to be processed in tight time frames.



△ TECHNICAL DATA

- △ System performance: 40-90 t/h
- △ Maximum bucket width: 3 m
- △ Screen area: 6,4 m²
- △ Drive power: 400 V / 2 x 0,9 kW
- △ Weight: 2160 kg
- △ Width: 3,62 m
- △ Length: 2,41 m
- △ Height: 2,85 m
- △ Loading height: 2,32 m

△ OPTIONEN

△ Bars



Weight: 472 kg

Additional separation option for coarse material with improved screening results that leads to a fine fraction.

△ Hopper



Weight: 100 kg

Increases effectiveness of the material supply.

△ Support feet



Weight (4 pieces): 110 kg

Quickly adjust the screening angle and level out an uneven terrain when setting up the machine.

